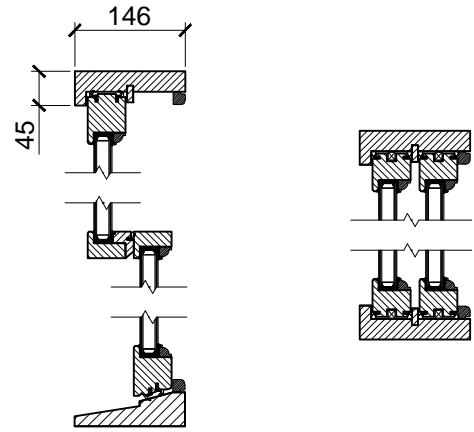
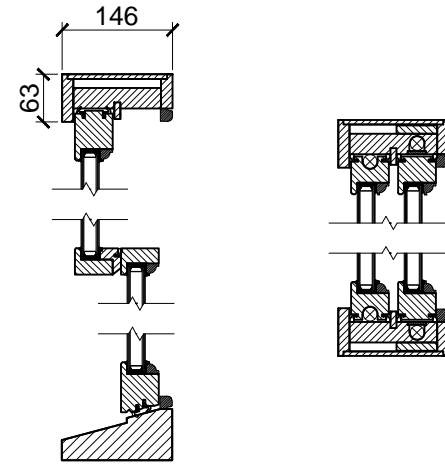


SB Wooden Spiral Balance Sash Window (Spring)

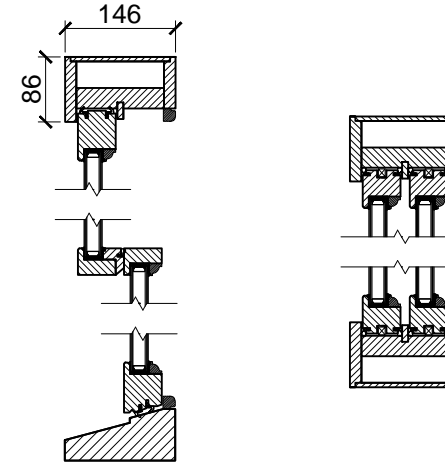
Balance 146_50/45



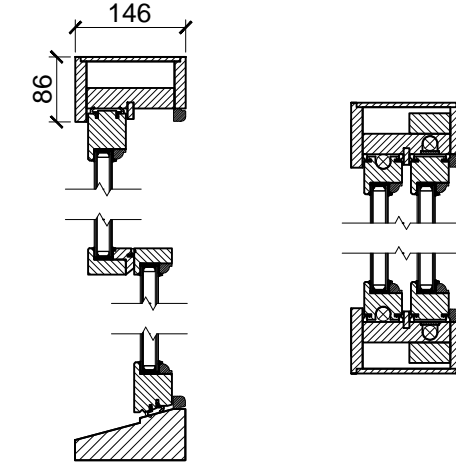
Concealed Balance 146_50/63



Balance 146_50/86



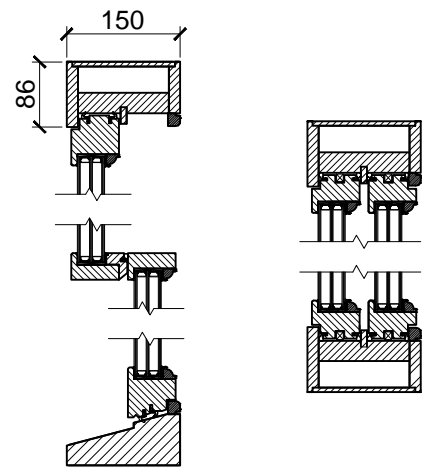
Concealed Balance 146_50/86



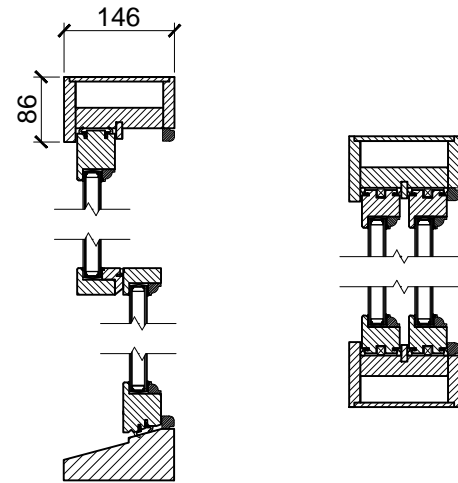
SW Wooden Sash Box Window (cords & weights)

408,41

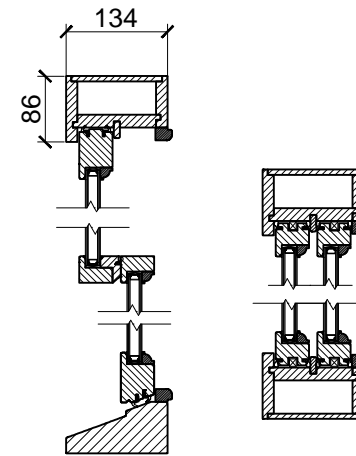
Excellent Plus 150_63/86



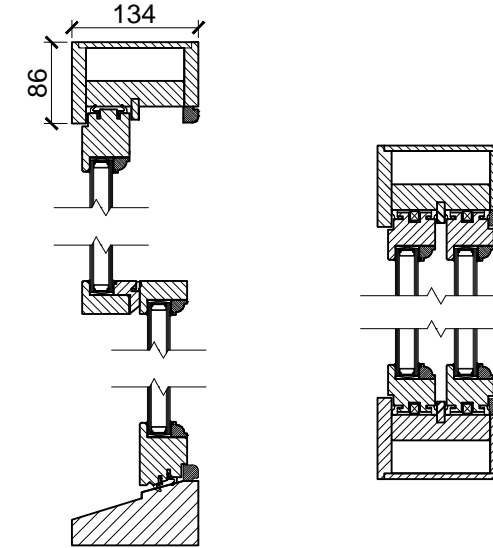
Standard 146_50/86



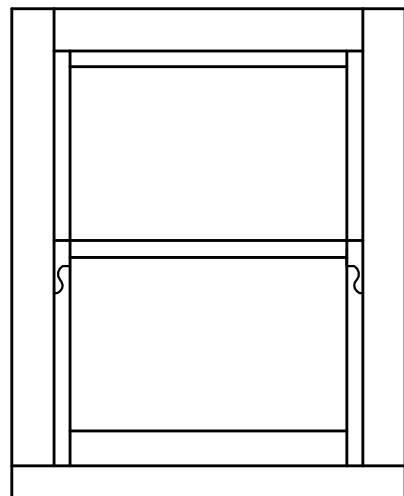
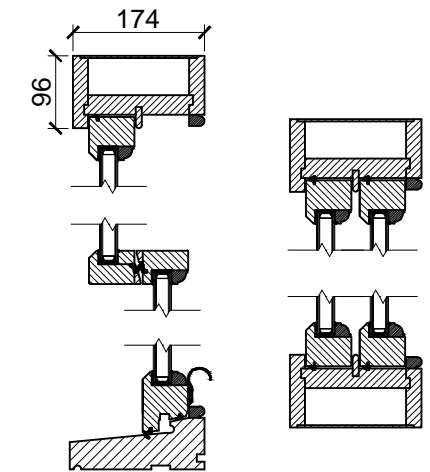
Standard 134_44/86



Standard 134_50/86



Retro Line 174_60/96



POLISHINTERIOR

www.polishinterior.com

tel: +44 770 004 59 03
+44 116 318 38 16
email: office@polishinterior.com

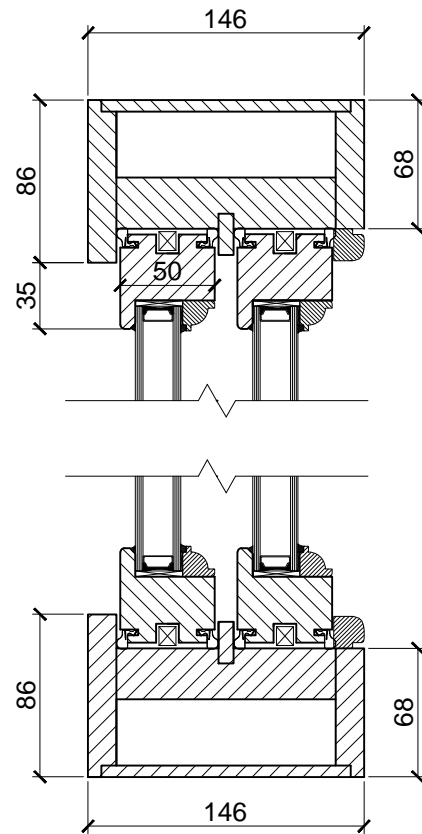
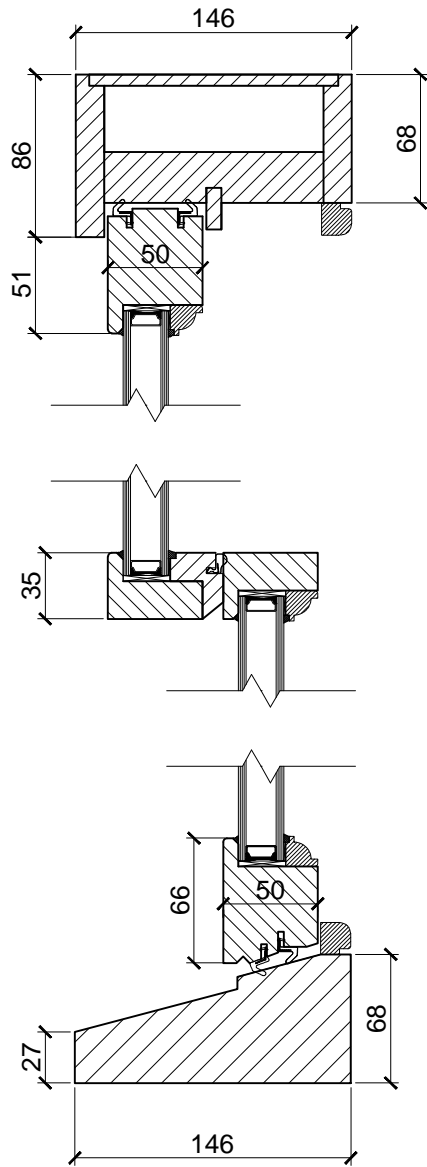
Registered office address : Fifteen Rosehill, Montgomery Way,
Rosehill Estate, Carlisle, CA1 2RW

SW Wooden Sash Box Window

Type: Cords & Weights

Model: Standard 146 50/86

Glass: Double Pane (4/16Ar/4)



POLISHINTERIOR

www.polishinterior.com

tel: +44 770 004 59 03
+44 116 318 38 16
email: office@polishinterior.com

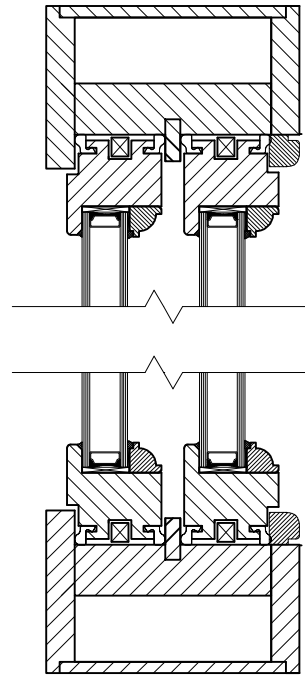
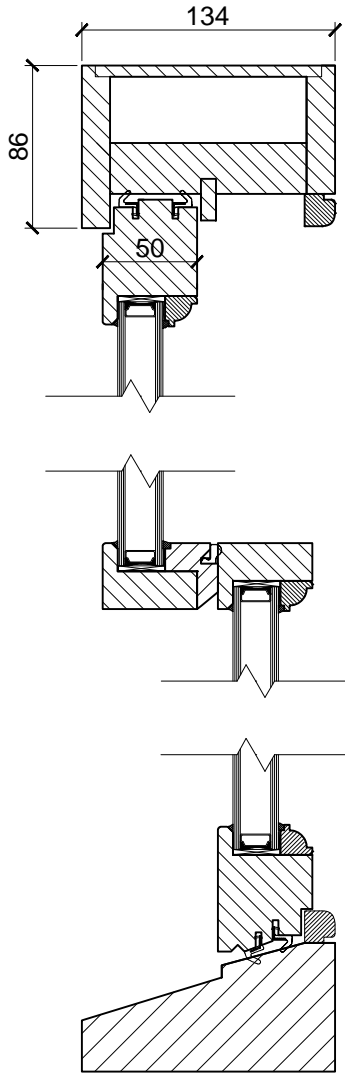
Registered office address : Fifteen Rosehill, Montgomery Way,
Rosehill Estate, Carlisle, CA1 2RW

SW Wooden Sash Box Window

Type: Cords & Weights

Model: Standard 134_50/86

Glass: Double Pane (4/16Ar/4)



POLISHINTERIOR

www.polishinterior.com

tel: +44 770 004 59 03
+44 116 318 38 16
email: office@polishinterior.com

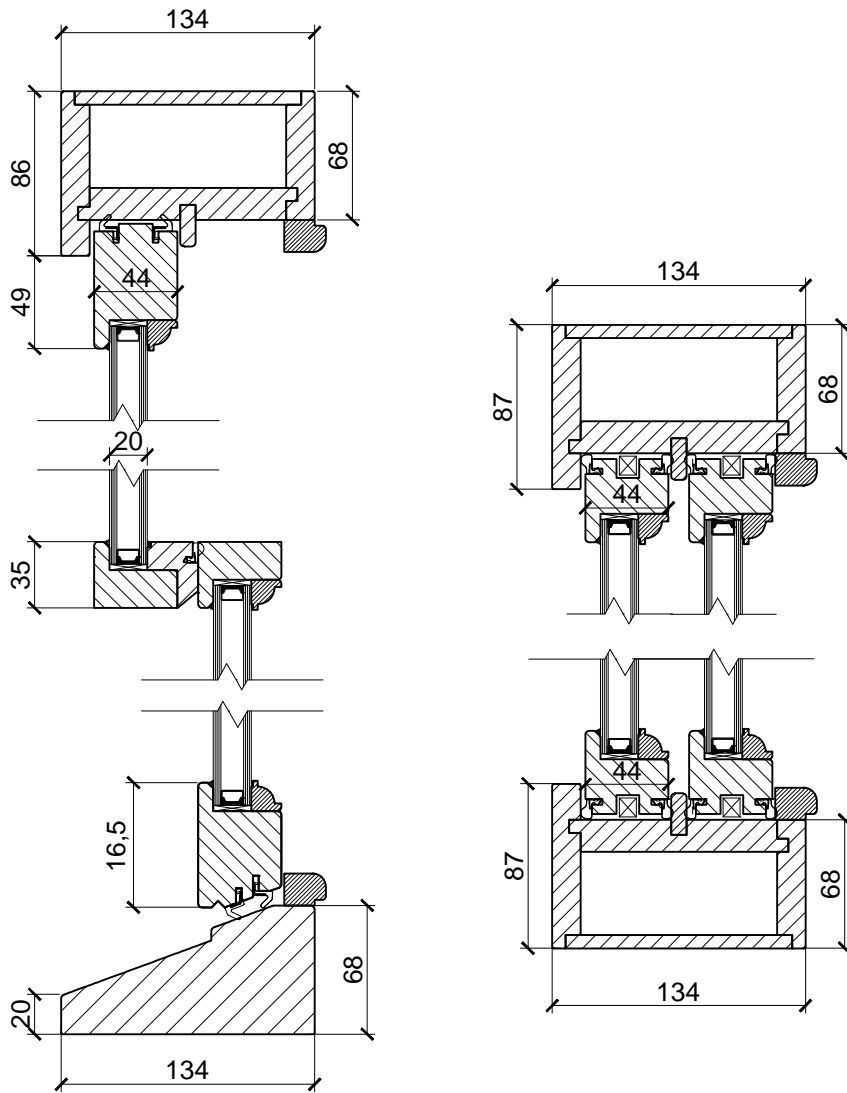
Registered office address : Fifteen Rosehill, Montgomery Way,
Rosehill Estate, Carlisle, CA1 2RW

SW Wooden Sash Box Window

Type: Cords & Weights

Model: Standard 134_44/86

Glass: Double Pane (4/12Ar/4)



POLISHINTERIOR

www.polishinterior.com

tel: +44 770 004 59 03

+44 116 318 38 16

email: office@polishinterior.com

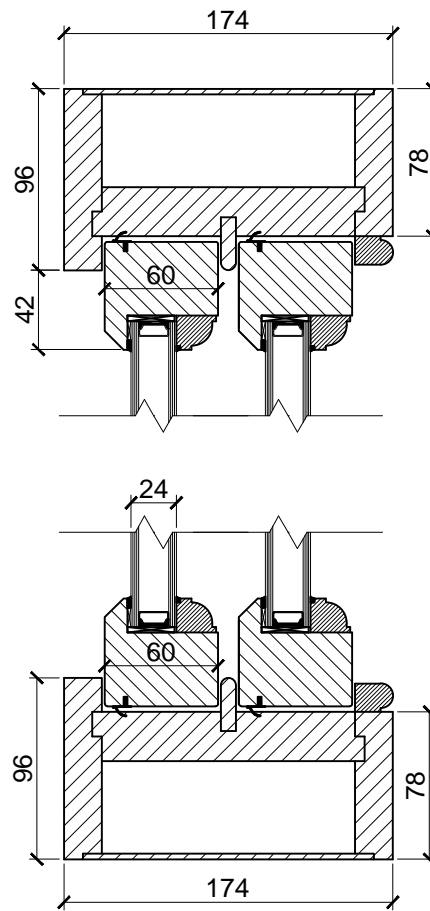
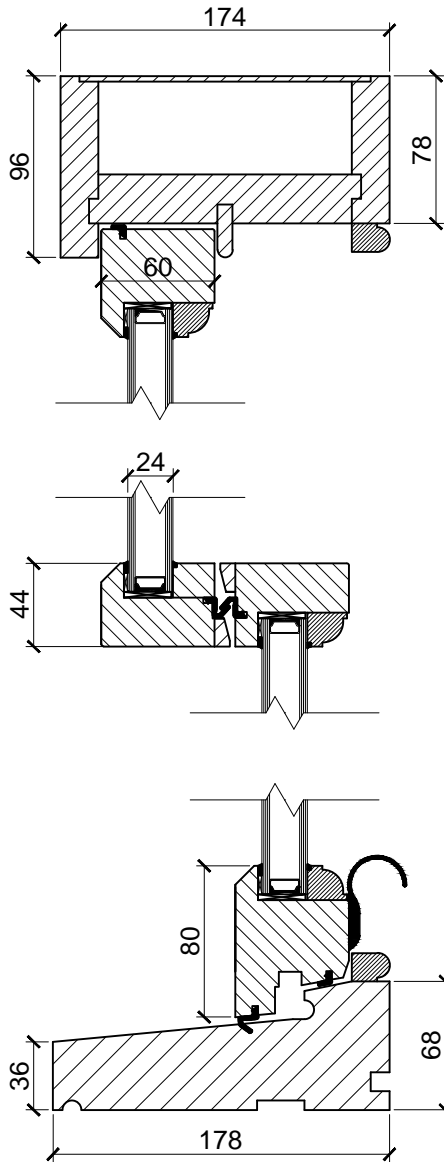
Registered office address : Fifteen Rosehill, Montgomery Way,
Rosehill Estate, Carlisle, CA1 2RW

SW Wooden Sash Box Window

Type: Cords & Weights

Model: Retro Line 174_60/96

Glass: Double Pane (4/16Ar/4)



POLISHINTERIOR

www.polishinterior.com

tel: +44 770 004 59 03
+44 116 318 38 16

email: office@polishinterior.com

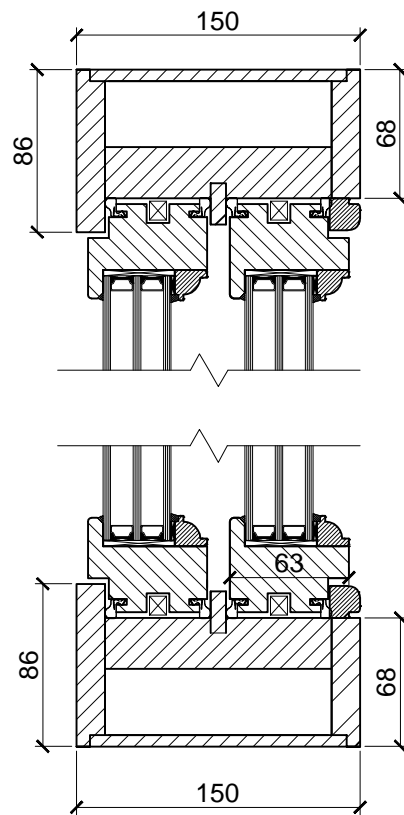
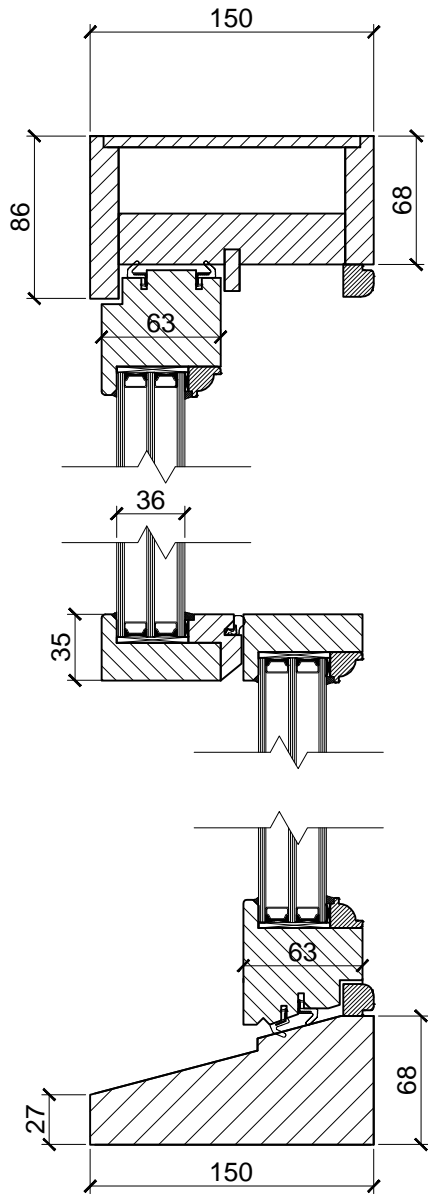
Registered office address : Fifteen Rosehill, Montgomery Way,
Rosehill Estate, Carlisle, CA1 2RW

SW Wooden Sash Box Window

Type: Cords & Weights

Model: Excellent 150_63/86

Glass: Triple Pane (4/12Ar/4/12Ar/4)



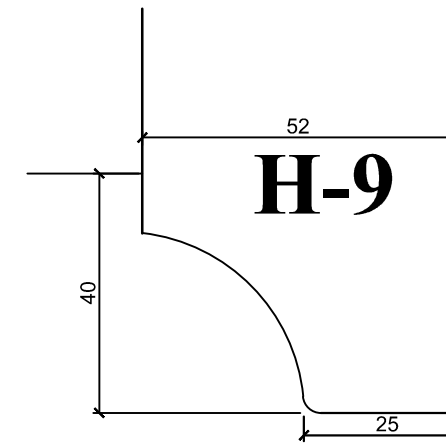
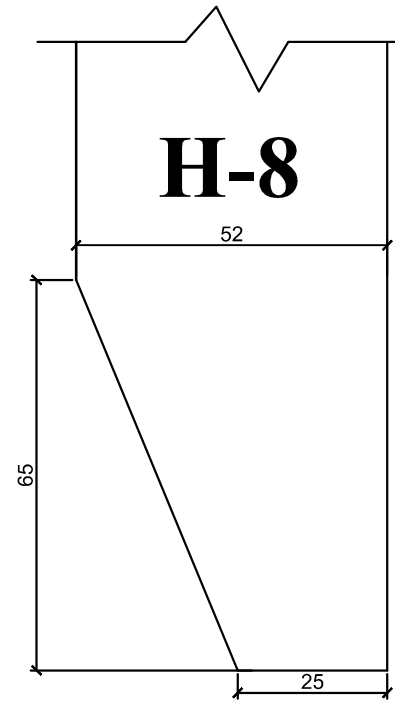
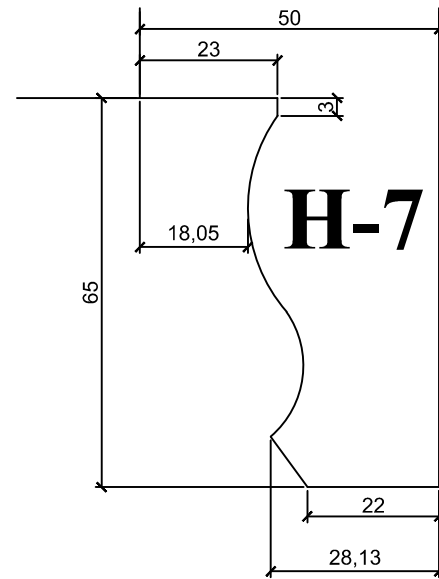
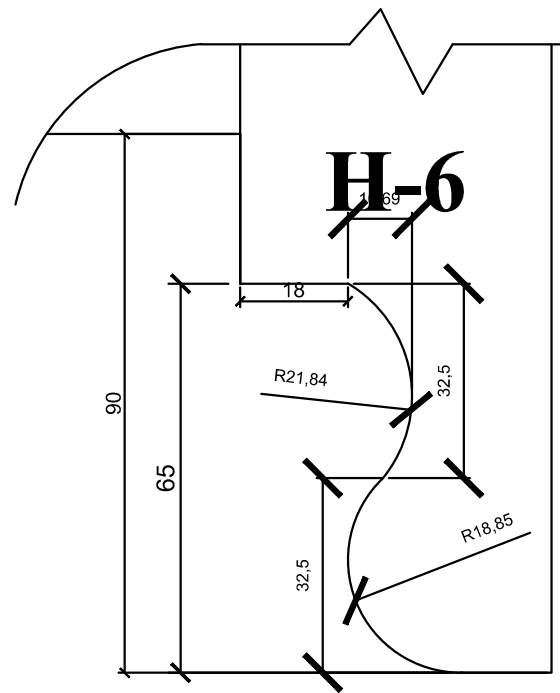
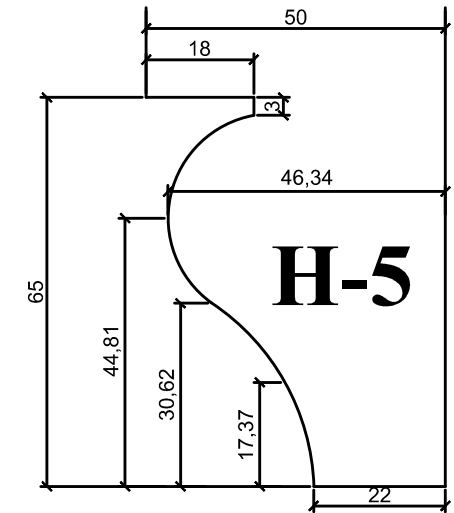
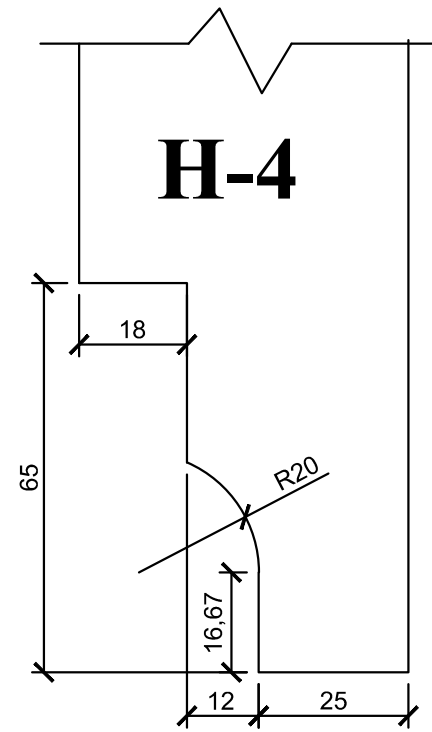
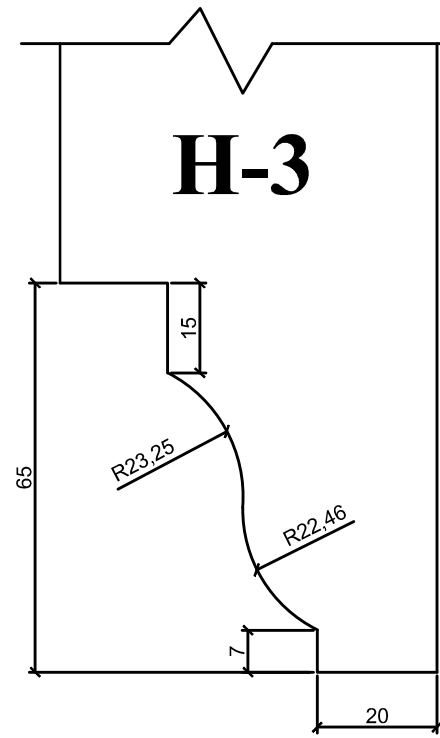
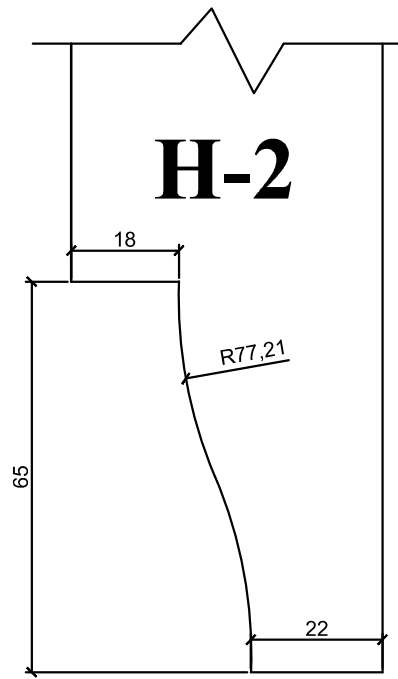
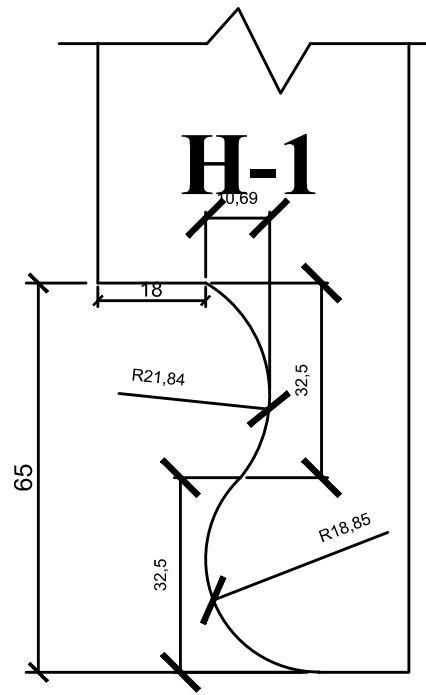
POLISHINTERIOR

www.polishinterior.com

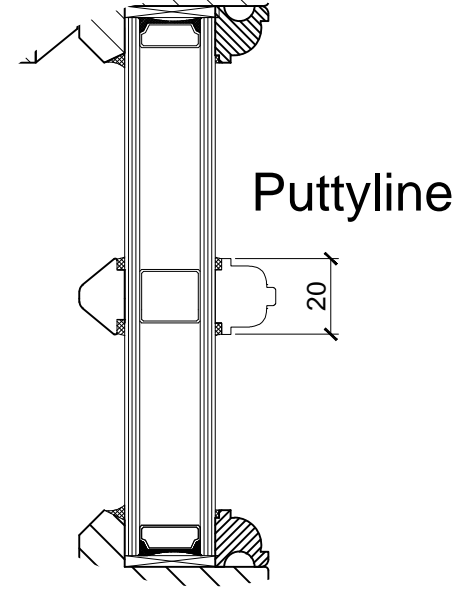
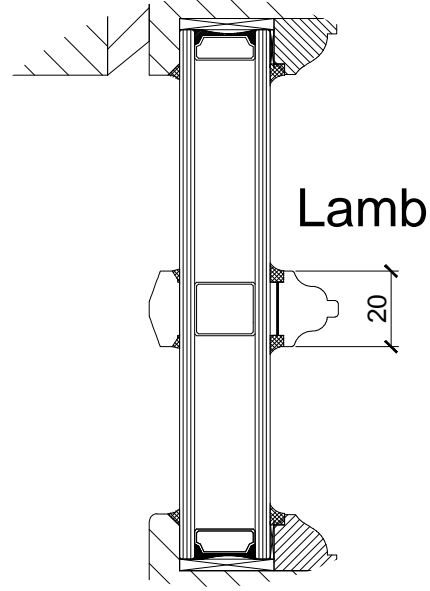
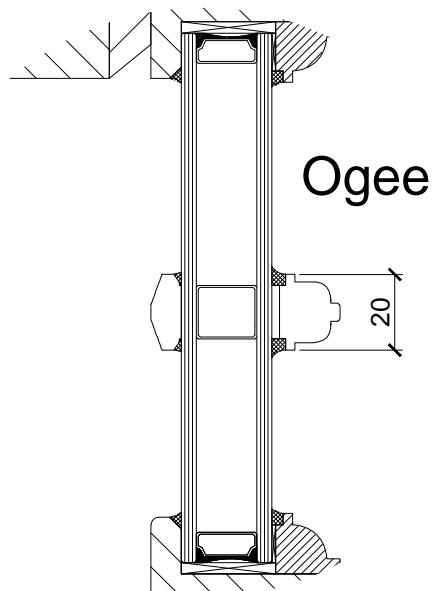
tel: +44 770 004 59 03
+44 116 318 38 16
email: office@polishinterior.com

Registered office address : Fifteen Rosehill, Montgomery Way,
Rosehill Estate, Carlisle, CA1 2RW

Horns



Bars



POLISHINTERIOR

www.polishinterior.com

tel: +44 770 004 59 03
+44 116 318 38 16
email: office@polishinterior.com

Registered office address : Fifteen Rosehill, Montgomery Way,
Rosehill Estate, Carlisle, CA1 2RW