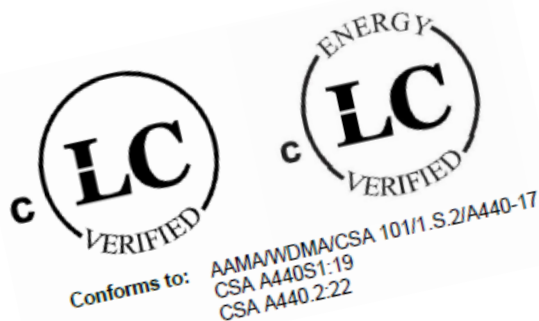


SD25SLIM Sliding Door . CW PG30 class



Certified according to:

AAMA/WDMA/CSA 101/1.S.2/A440-17

CSA A440.2:22

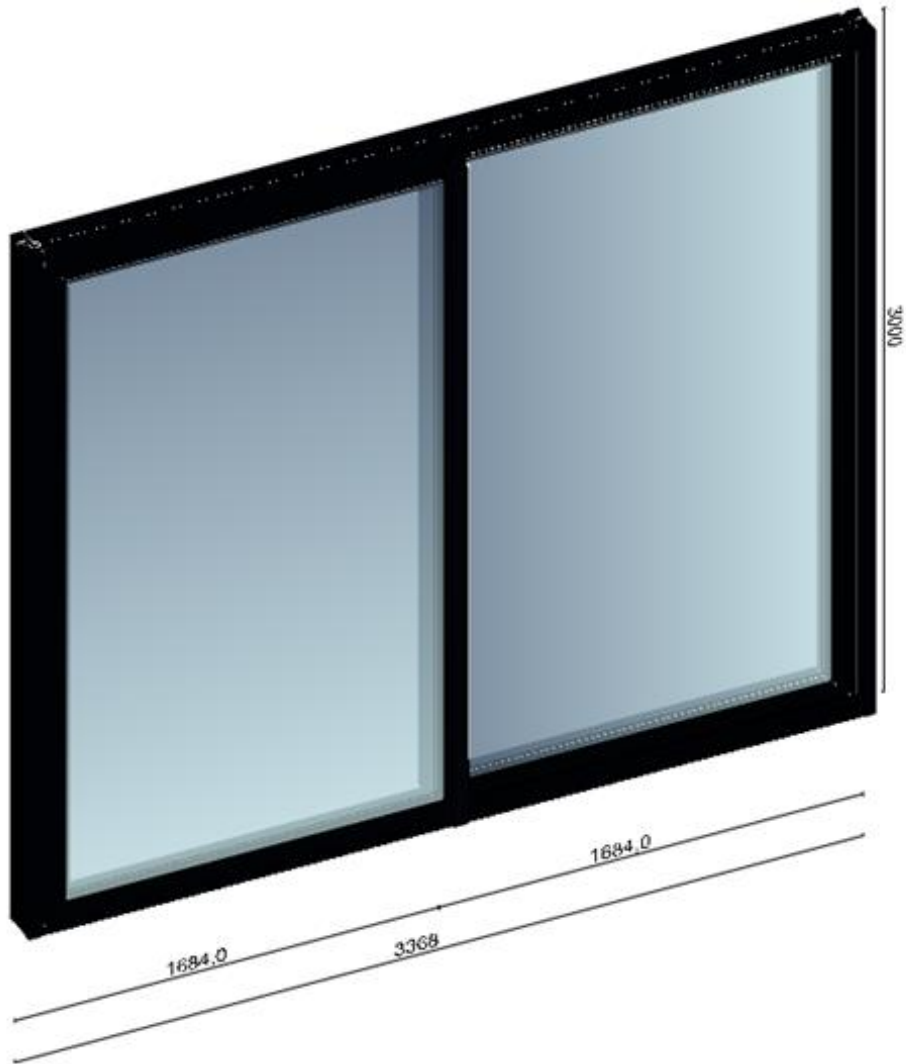
CSA A440S1:19



SD25SLIM Sliding Door

Max size 3368x3000 mm

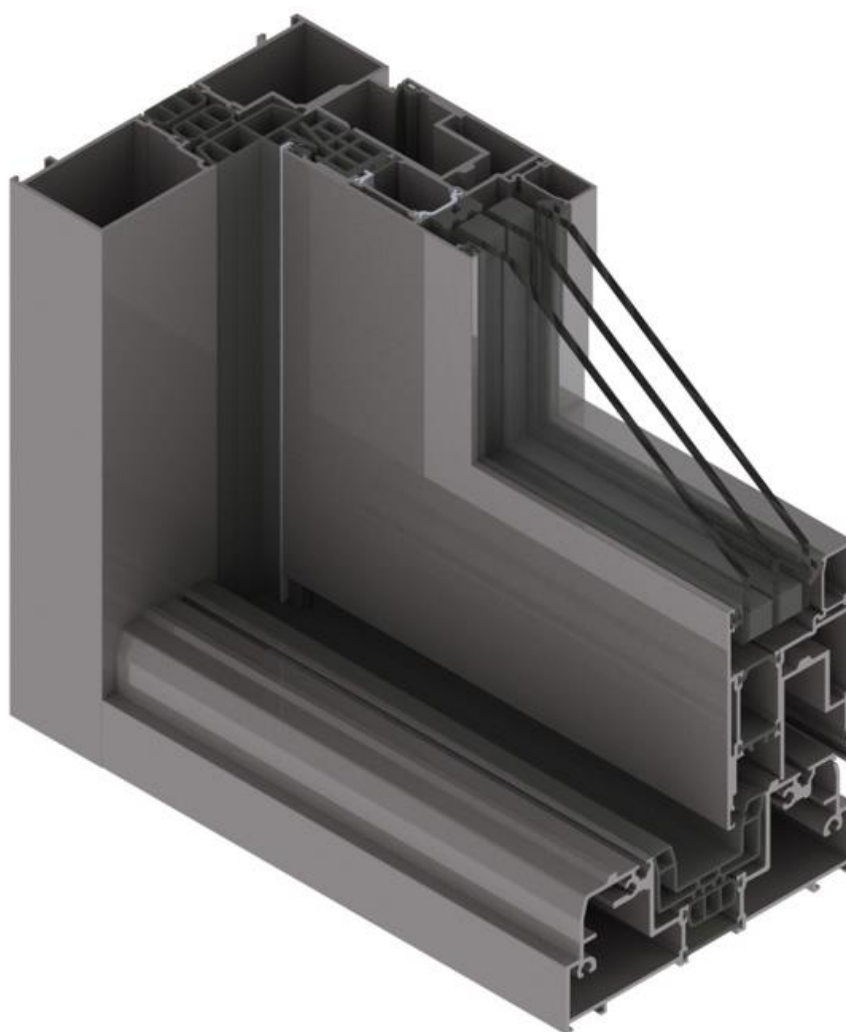
[11 feet ¹⁹/₃₂ inch x 9 feet 10 ⁷/₆₄ in]



SD25SLIM Sliding Door

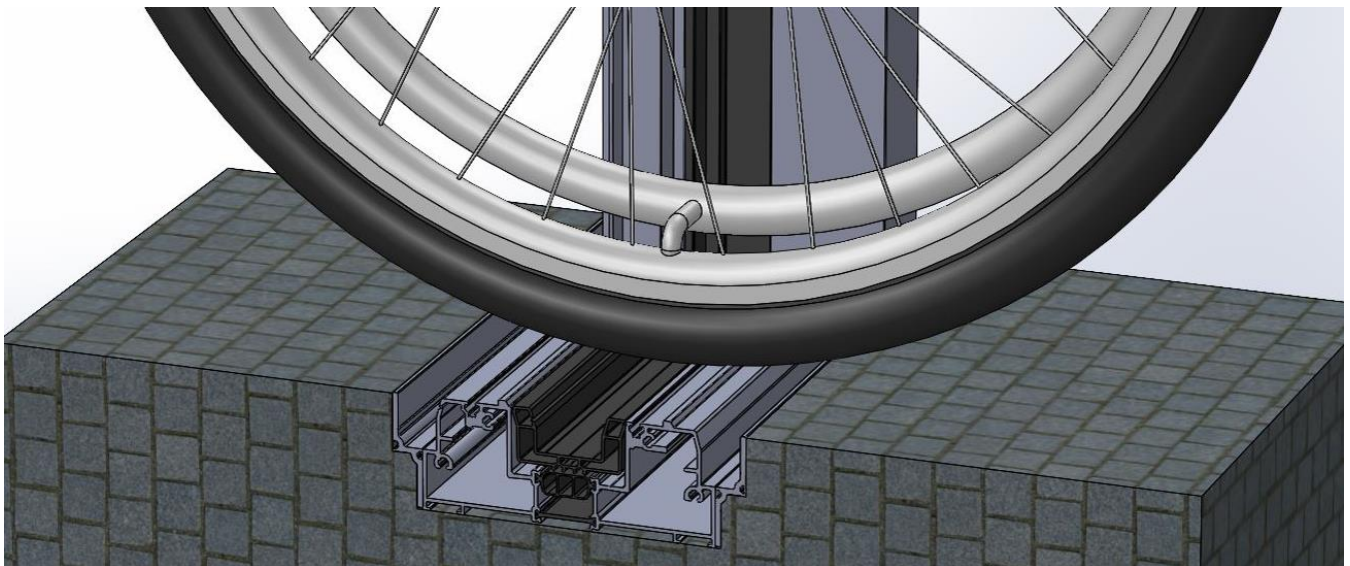
Triple pane TEMPERED

aluminum



SD25SLIM Sliding Door

Lowered threshold



SD25SLIM Sliding Door

Energy Performance PG30, class CW

Polishinterior S.C. Address: Nad Drwina 10 hala D9, 30-741 Krakow, Poland Email: maciek@polishinterior.com Tel: + 48 502 24 88 94							
Energy Performance Results for SD25SLIM Sliding Door– Series SD25SLIM Aluminum frame; Triple glazed system; ClimaGuard Premium2 on 6mm Float Extra Clear, as per option stated below; Argon 90% gap filled; Spacer: Multitech G ALU PRO Warm Edge Spacer							
No. of glazing layers	Glazing option no.	Glass surface emissivity with Low-E coating	Tint description	Glass type(s)	Spacer type(s)	Gap fill(s)	Gap width(s)
3	3*	ClimaGuard Premium2 on 6mm Extra Clear (Surface $\epsilon = 0.039$)	Clear	6mm Float Extra Clear	Multitech G ALU PRO Warm Edge Spacer	Argon 90%	16 mm
ENERGY PERFORMANCE RATINGS							
U factor [BTU/h-ft ² -°F]		SOLAR HEAT GAIN COEFFICIENT		Visible Transmittance			
0.275		0.327		0.468			
Air Leakage [L/s · m ²]				Energy Rating			
0.2				24			

Thermal performance and visual transmittance ratings certified to CSA A440.2:22 & NFRC 100-2020. Ratings are determined for fixed set of environmental conditions and a specific product. LabTest Certification Inc. agency does not recommend or warrant product for any specific use.
 Les taux de performance thermique et de transmission visuelle certifiées selon la norme CSA A440.2:22 & NFRC 100-2020. L'évaluation est déterminée pour un ensemble fixe de conditions environnementales et un produit spécifique. LabTest Certification Inc. ne recommande pas et ne recommande aucun produit pour une utilisation particulière.

NOTES:

*Represents the Glazing Option according to Listing Report (can be only 1 - 5 at time of this report).



 Evaluated to/Évalué pour: CSA 101/1.S.2/A440-17	Manufacturer: Polishinterior S.C. Address: Nad Drwina 10 hala D9, 30-741 Krakow, Poland Email: maciek@polishinterior.com Tel: + 48 502 24 88 94 Model No: PI-SD25SLIM-IGXX Sliding Door Class CW – PG30 – Size tested: 3370 x 3050 mm (132.7 x 120.1 in) – Type SD Positive/ Negative ASD Design Pressure (DP) = 1440 Pa Water Penetration Resistance Test Pressure = 220 Pa Canadian Air Infiltration/ Exfiltration = A3 Level
---	--